

# SR-6iA



Max. load capacity at wrist: 6 kg



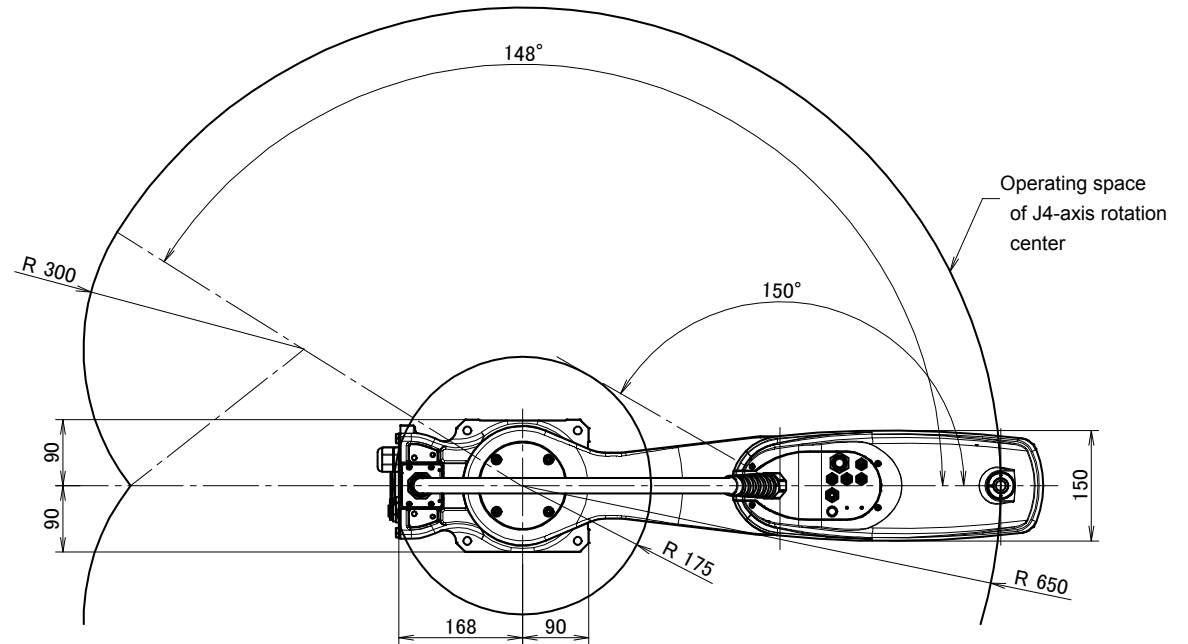
Max. reach: 650 mm

# FANUC

Robot			Max. load capacity at wrist (kg)	Reach (mm)	Controlled axes	Repeatability (mm)	Mechanical weight (kg)	Motion range (°)						Maximum speed (°/s)						J4 Moment/ Inertia	J5 Moment/ Inertia	J6 Moment/ Inertia	Average Power consumption (kW)	Protection	
Series	Version	Type						J1	J2	J3	J4	J5	J6	J1	J2	J3	J4	J5	J6					Body standard/optional	Wrist & J3 arm standard/optional
SR	iA	6	6	650	4	±0.01 (J1, J2) ±0.01 (J3) ±0.004° (J4)	30	±148	±150	210 mm*	±720	-	-	440	700	2000 mm/s	2500	-	-	--/0.12	-	-	0.2	IP20	IP20

● standard ○ on request - not available \* z axis \*\* Based on ISO9283

SR-6iA 4-axis



SR-6iA